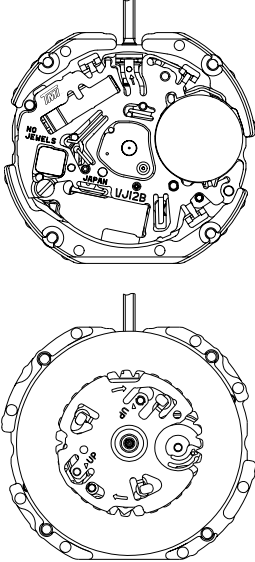
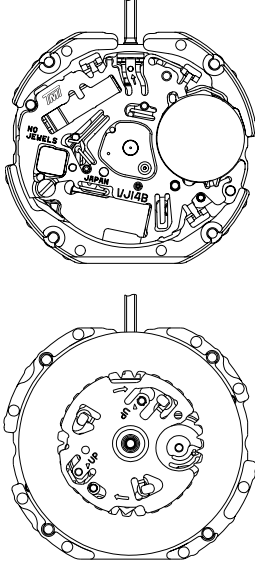





**TECHNICAL GUIDE  
&  
PARTS CATALOGUE**

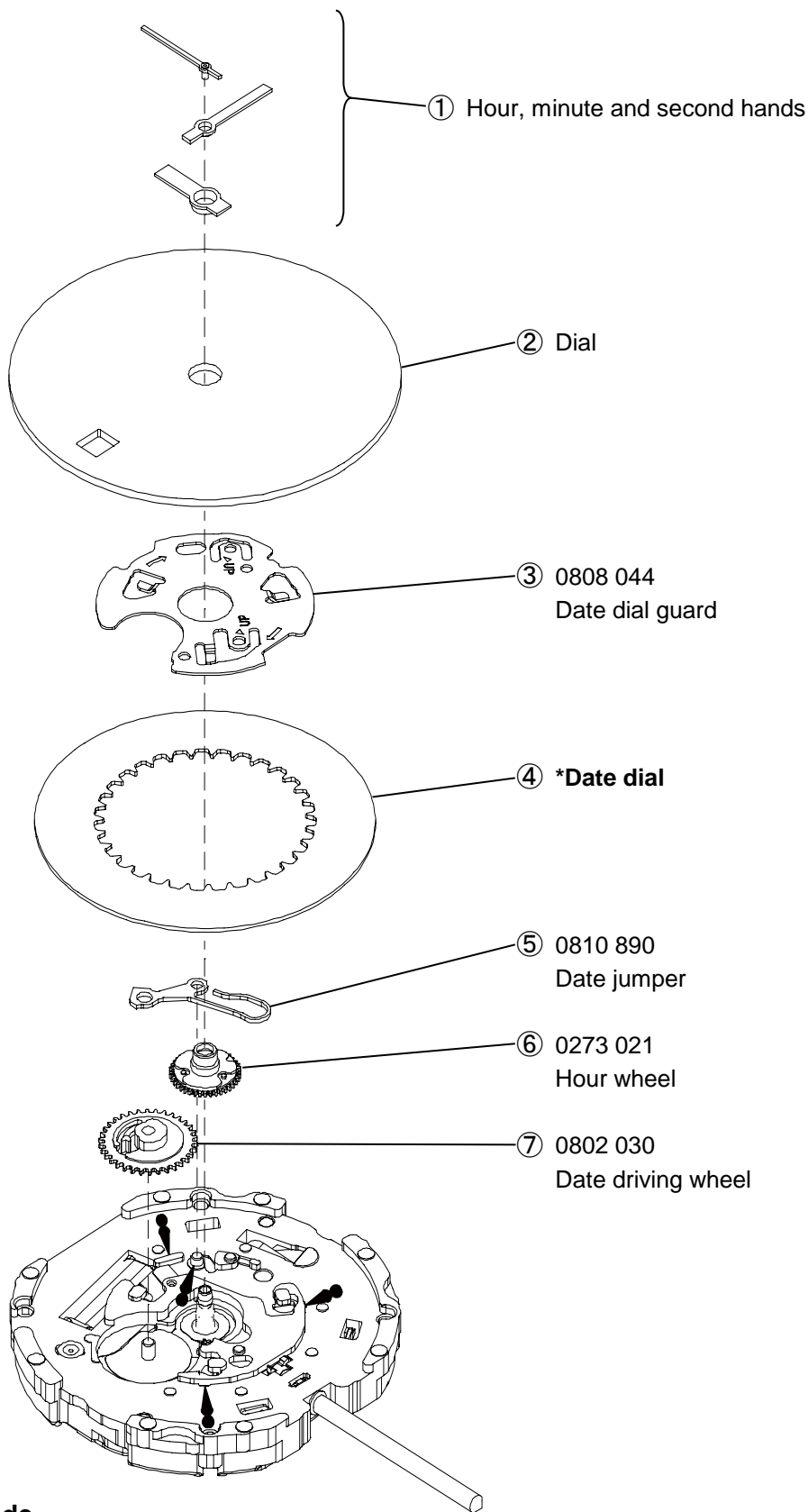
**Cal.VJ1 Series  
(VJ12B/14B)**

**ANALOGUE QUARTZ**




Cal. No.		VJ12B	VJ14B
<b>Item</b>			
Movement			
Movement size	Outside diameter	$\phi$ 20.00 mm 18.20 mm : between 12 o'clock and 6 o'clock sides 18.00 mm : between 3 o'clock and 9 o'clock sides	
	Casing diameter	$\phi$ 19.40 mm 17.00 mm : between 12 o'clock and 6 o'clock sides	
	Total height	2.71 mm (including the battery)	
Time indication		3 Hands Calendar	2 Hands Calendar
Driving system		Step motor (Load compensated driving pulse system type)	
Additional mechanism		Electronic circuit reset switch Second setting device Date setting	Electronic circuit reset switch Date setting
Antimagnetic		$\geq$ 1600 A/m	
Loss/Gain (Monthly rate)		Less than $\pm$ 20 seconds at normal temperature range	
Frequency of crystal oscillator		32,768 Hz	
Operational temperature range		- 5 °C ~ + 50 °C	
Regulation system		Nil	
Measuring gate by quartz tester		Use 10 second gate * Set the winding stem with crown at the normal position	
Battery		SR621SW (Silver oxide battery) Battery life is approximately 3 years	
Jewels		0 Jewel	

Disassembling procedures Figs. ① → ⑳	Lubricating : Types of oil	
		A3a / Moebius 9010
Reassembling procedures Figs. ㉔ → ①		A2a / Moebius 9030
	Oil quantity 	Normal quantity

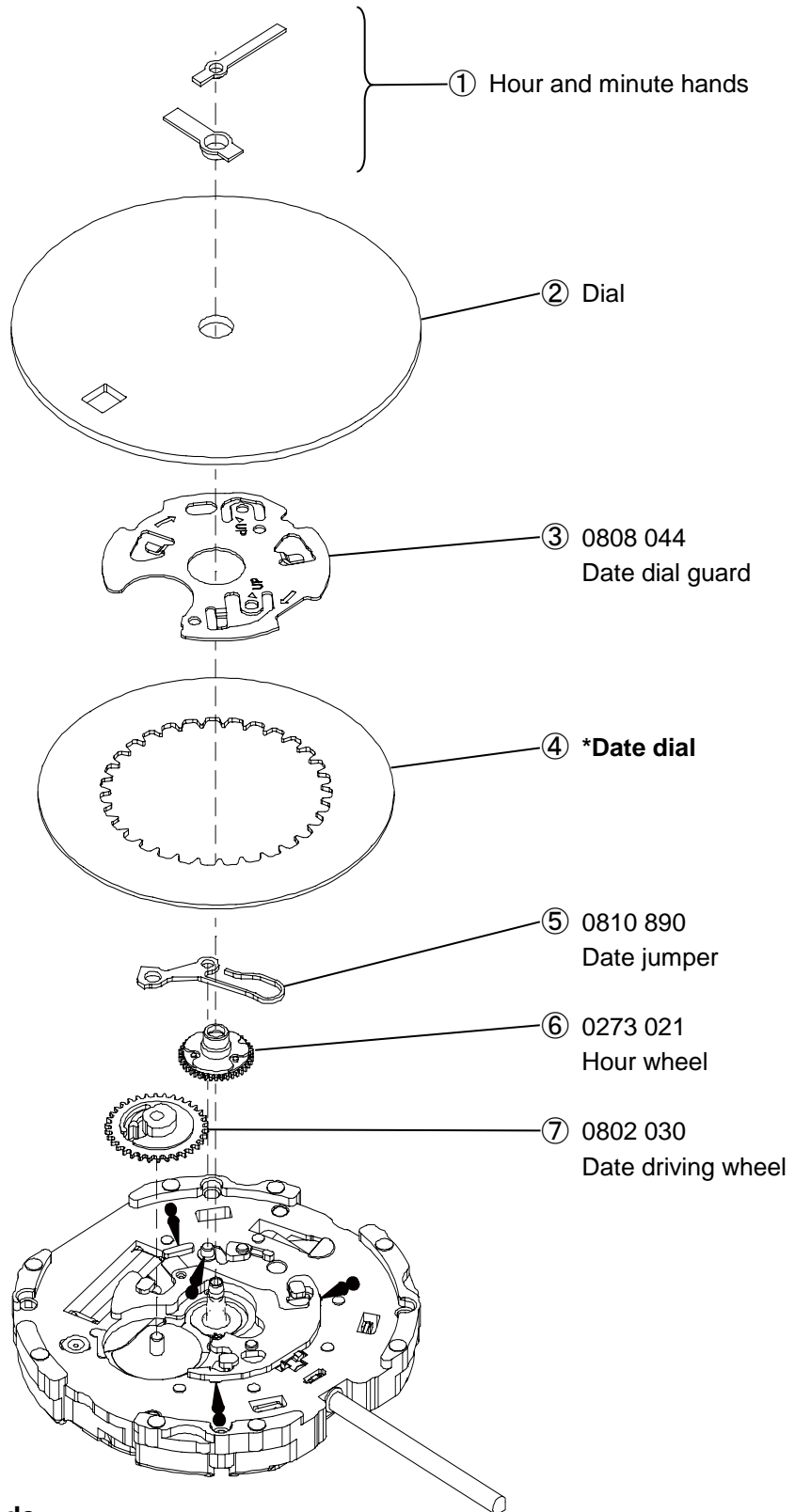
## <<VJ12B>>






\*Refer to page 4 for each parts code

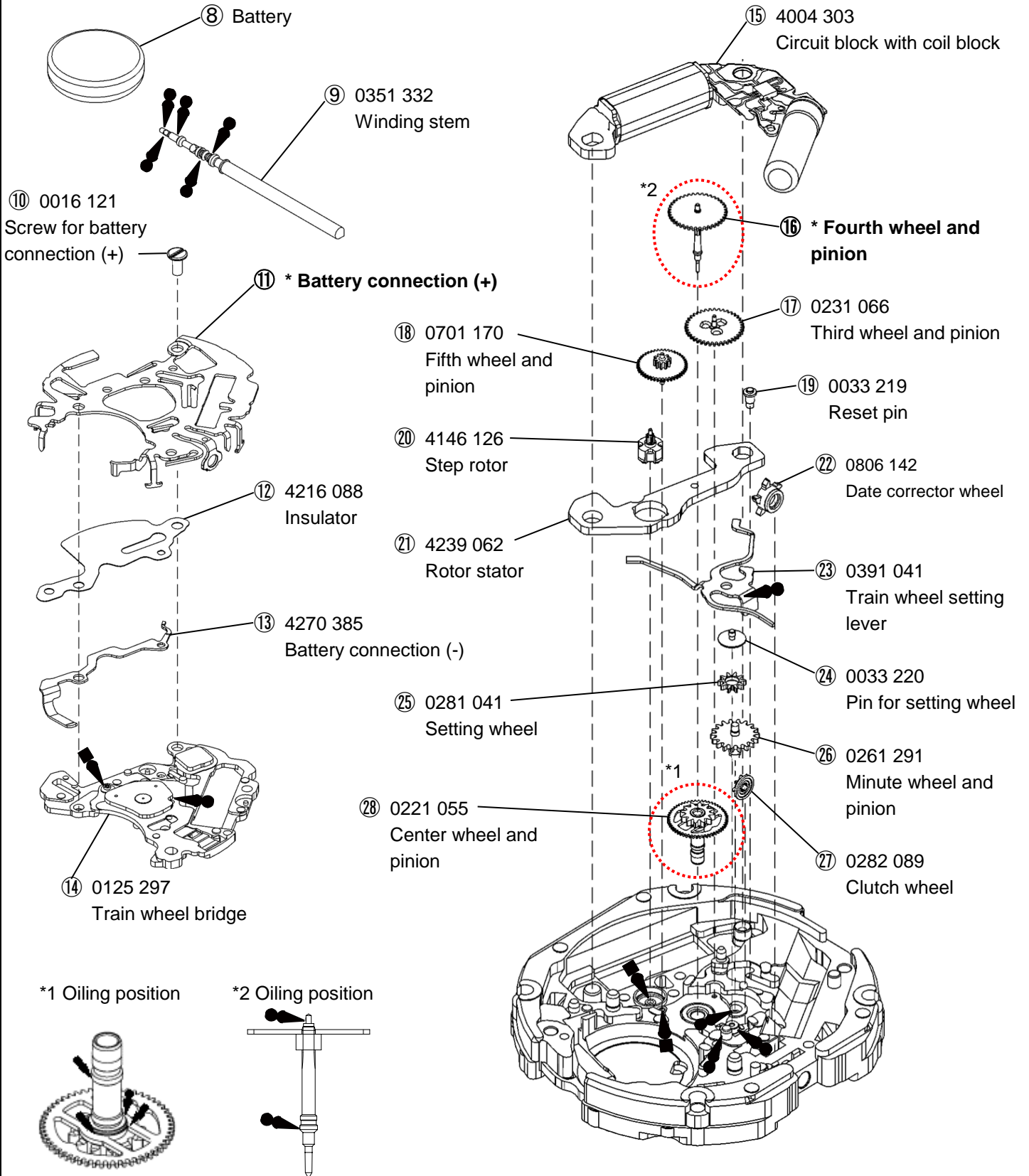
Disassembling procedures Figs. ① → ⑳	Lubricating : Types of oil	 A3a / Moebius 9010
		 A2a / Moebius 9030
Reassembling procedures Figs. ㉔ → ①	Oil quantity	 Normal quantity

## <<VJ14B>>



\*Refer to page 4 for each parts code

Disassembling procedures Figs. ① → ⑳	Lubricating : Types of oil
Reassembling procedures Figs. ㉔ → ①	 A3a / Moebius 9010  A2a / Moebius 9030
	Oil quantity  Normal quantity



\*Refer to page 4 for each parts code

Remarks:

○ Date dial

Part code	Positing of crown	Positing of date frame	Color of figure	Color of background
0878 395	3H	3H	Black	White
0878 396	3H	3H	White	Black
0878 397	3H	6H	Black	White
0878 398	3H	6H	White	Black

○ The part which is not common in Cal.VJ12B/VJ14B

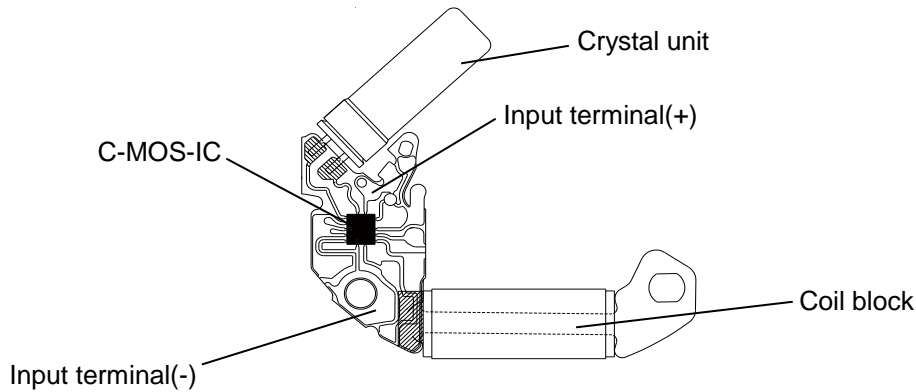
Parts name	VJ12B	VJ14B
⑪ Battery connection(+)	4268 023	4268 028
⑫ Fourth wheel and pinion	0144 097	0144 088

**\*All parts code are subject to change without notice.**

The explanation here is only for the particular points of Cal.VJ12B /VJ14B

## I .STRUCTURE OF THE CIRCUIT BLOCK

Notes: Since the circuit block and coil block are made by one piece, in disassembling and reassembling take care not to cut the coil line.

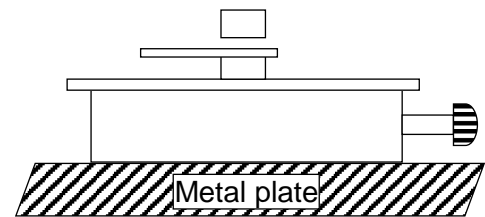


## II . REMARKS ON DISASSEMBLING AND REASSEMBLING

### ① Hands

#### •How to install

Place the movement directly on a flat metal plate or the like to install the hands.

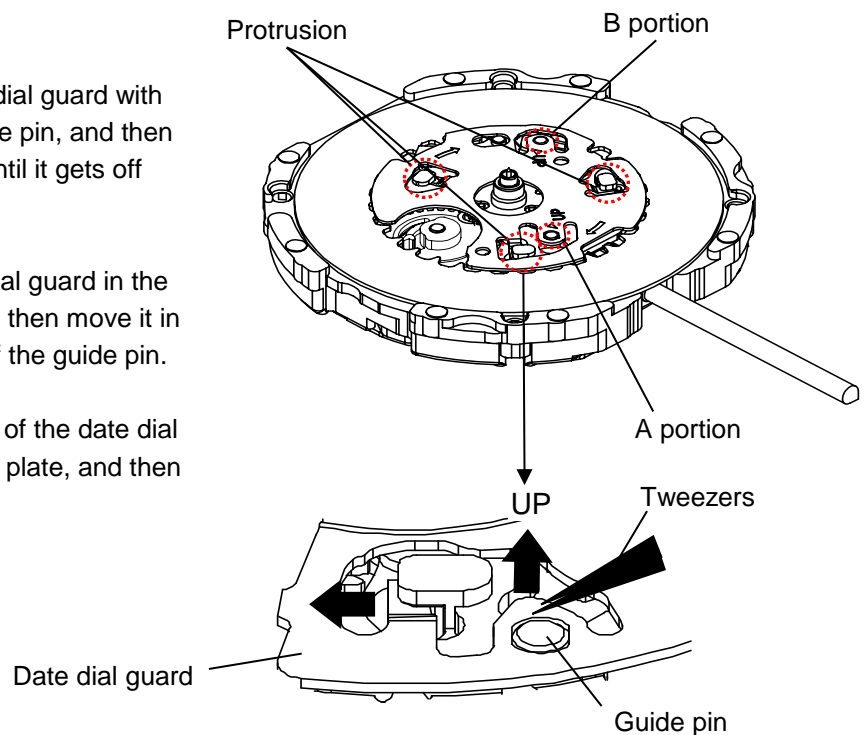


### ② Date dial guard

The date dial guard has three protrusions to be caught under the main plate, and it is also fixed by two guide pins.

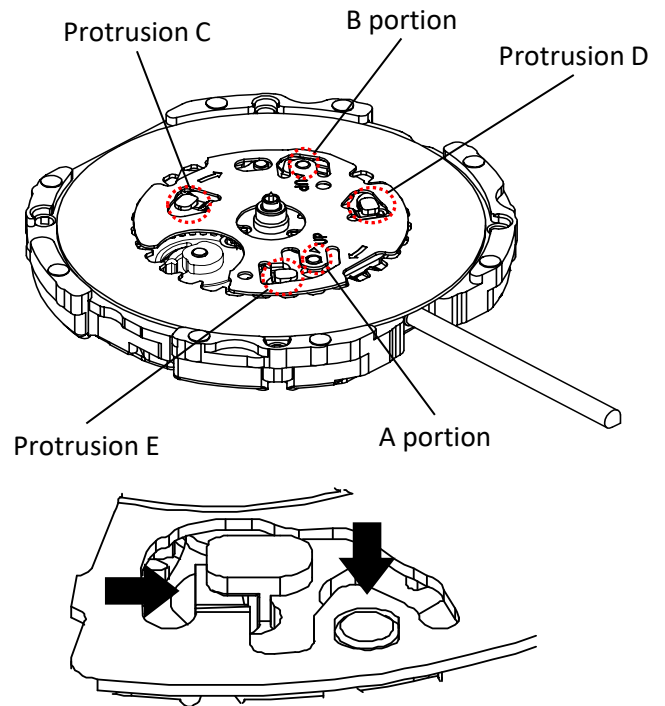
#### •How to remove

- 1) Lightly lift the A portion of the date dial guard with tweezers to release it from the guide pin, and then move it in the clockwise direction until it gets off the guide pin.
- 2) Release the B portion of the date dial guard in the same way as described above, and then move it in the clockwise direction until gets off the guide pin.
- 3) Check that all the three protrusions of the date dial guard have come off from the main plate, and then remove the date dial guard.



•How to install

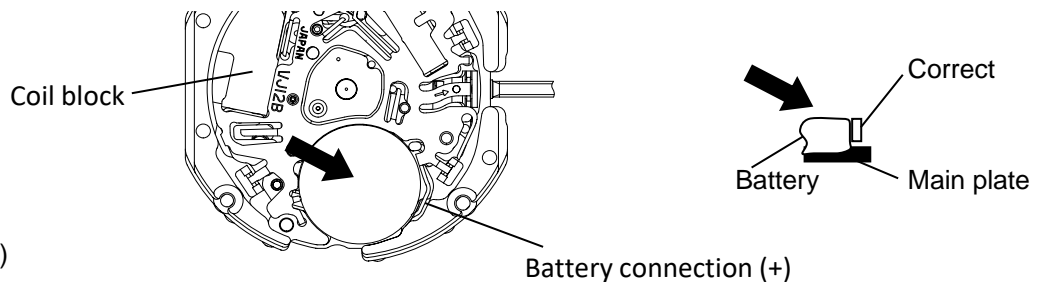
- 1) Put the date dial guard on the main plate so that the A and B portion are over the guide pins, as shown in the illustration at right.
- 2) Move the protrusion D of the date dial guard in the counterclockwise direction so that it is caught under the main plate.
- 3) Slightly move the protrusions C and E in the counterclockwise direction alternately to set them under the main plate. Then, set the A and B portions of the date dial guard to the guide pins.
- 4) Check that the date dial guard is fixed securely to the main plate.



③ Battery

•How to install battery

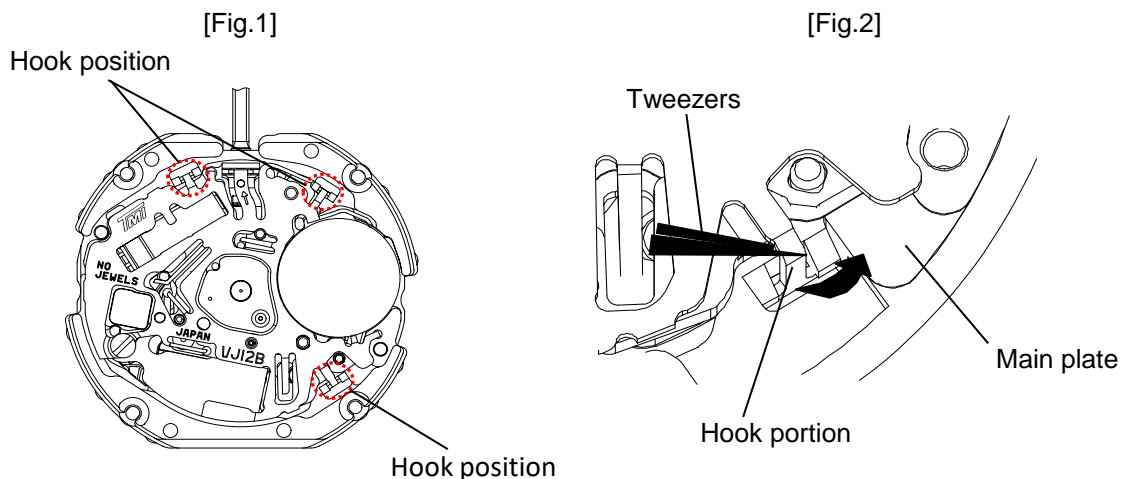
Insert the battery aslant in the direction shown by the arrow.  
Check the battery connection (+) securely touches the side face of the battery.



④ Battery connection (+)

•How to install

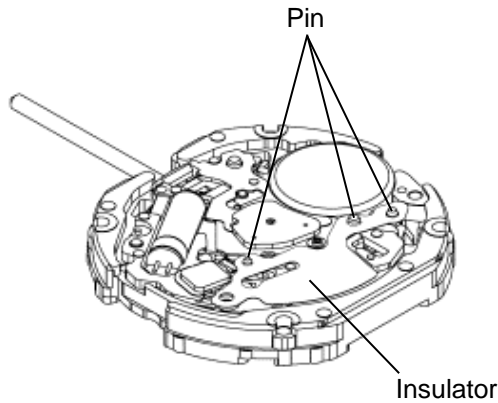
Have the hook portions (3 places) catch the main plate (Fig.1 & Fig.2).  
In disassembling and reassembling, take care not to deform the hook portion.  
After installing the battery connection (+), check that the three hook portions securely catch the main plate.





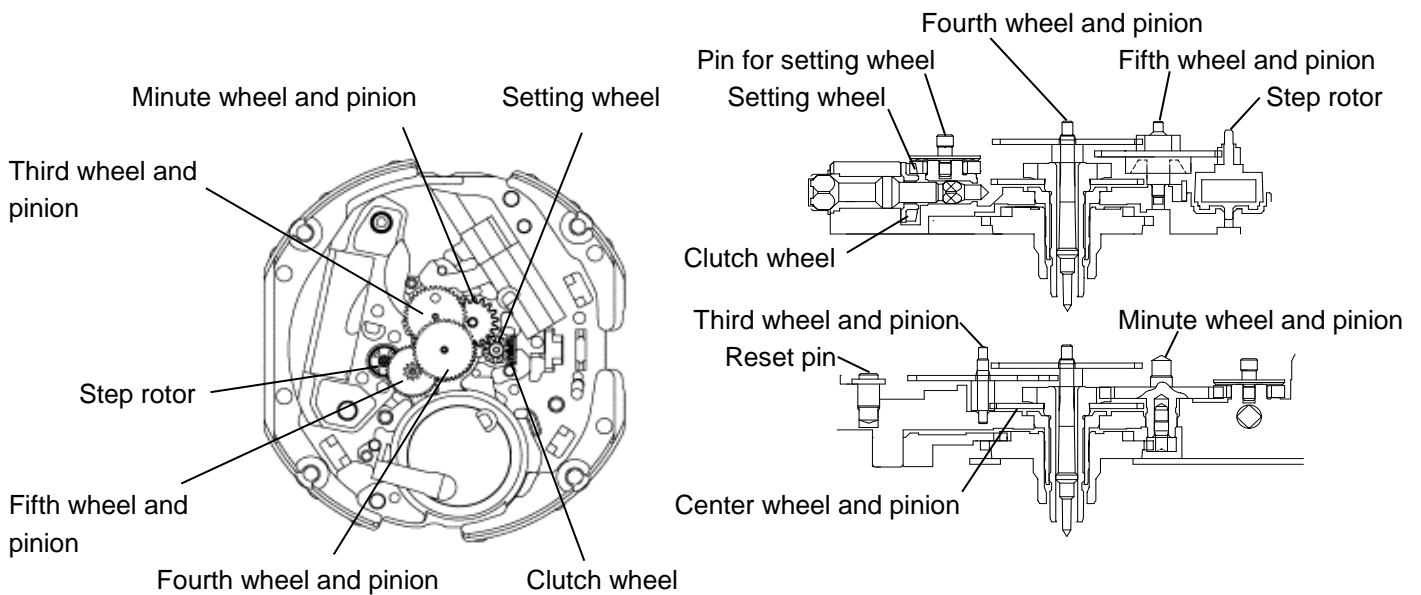
- ⑤ Insulator  
•Setting position

Notes: To Insulate between the battery connection (+) and the battery connection (-), Insulator should be put at the three pin securely as bellow.



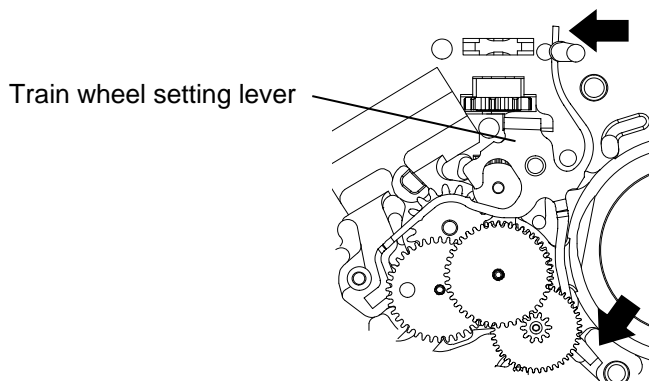
- ⑥ Train wheel bridge  
•Setting position

Notes: Since the fifth wheel and pinion and step rotor are made of plastics, take care not to damage them in disassembling and reassembling.



- ⑦ Train wheel setting lever  
•Setting position

Notes:  
•Catch the part of spring of the Train wheel setting lever to the pin like as below.  
•Take care not to deform the spring portion of the Train wheel setting lever.

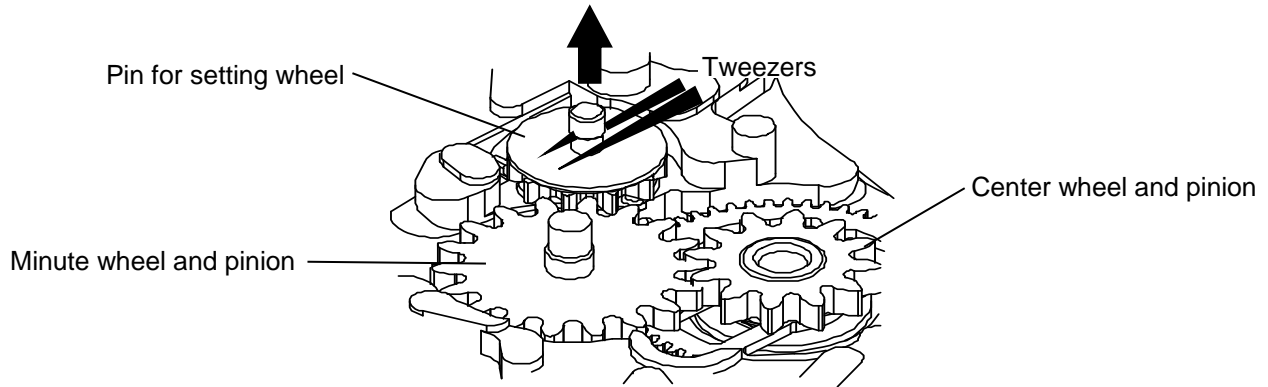


⑧ Pin for setting wheel

Notes:

- In disassembling and reassembling, take care not to damage the portion that is assembled of the pin.  
(Since the portion that is assembled of the pin is made of plastics and easily damaged.)

- In disassembling,  
pick the pin up main plate to vertical direction with care.



- In reassembling,  
push the pin in main plate to vertical direction with care.

