

TECHNICAL GUIDE
&
PARTS CATALOGUE

Cal.VJ4*A/BSeries
(VJ42/43/45)

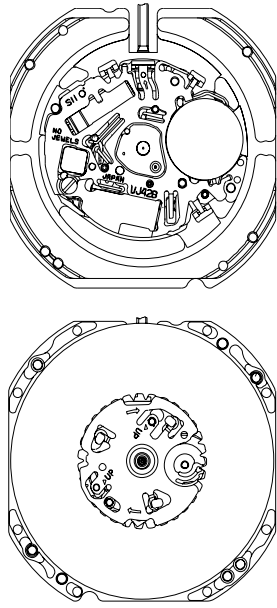
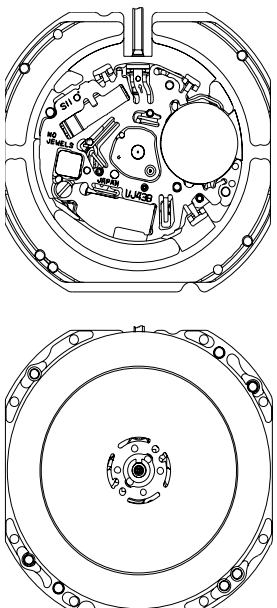
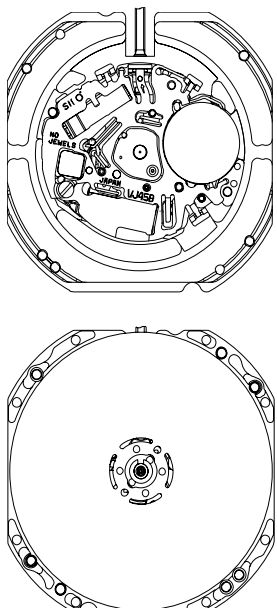
ANALOGUE QUARTZ

Cal.VJ4*A/B Series

TIME MODULE

[SPECIFICATION]

Version-01

Item		Cal. No.	Cal.VJ4*A/B Series		
Movement			VJ42A/B	VJ43A/B	VJ45A/B
					
Movement size	Outside diameter	φ26.40 mm 23.50 mm : between 12 o'clock and 6 o'clock sides 23.50 mm : between 3 o'clock and 9 o'clock sides			
	Casing diameter	φ25.60 mm 23.50 mm : between 12 o'clock and 6 o'clock sides 21.90 mm : between 3 o'clock and 9 o'clock sides			
	Total height	2.79mm	3.05mm	3.05mm	
Time indication		3hands (hour , minute , second) Calendar	3hands (hour , minute , second) Day & Date Calendar	3hands (hour , minute , second) Day & Wide Date Calendar	
Driving System		Step motor			
Additional mechanism		Electronic circuit reset switch Second setting device Date setting	Electronic circuit reset switch Second setting device Date setting Day setting		
Antimagnetic		≥1600 A/m			
Accuracy		Less than ±20seconds : Monthly rate at normal temperature range			
Battery		SR621SW (Silver oxide battery) Battery life is approximately 3 years			
Measuring gate by quartz tester		Use 10-second gate * Set the winding stem with crown at the normal position			
Jewels		0 Jewel			

Disassembling procedures Figs. ① → ⑦

Reassembling procedures Figs. ⑦ → ①

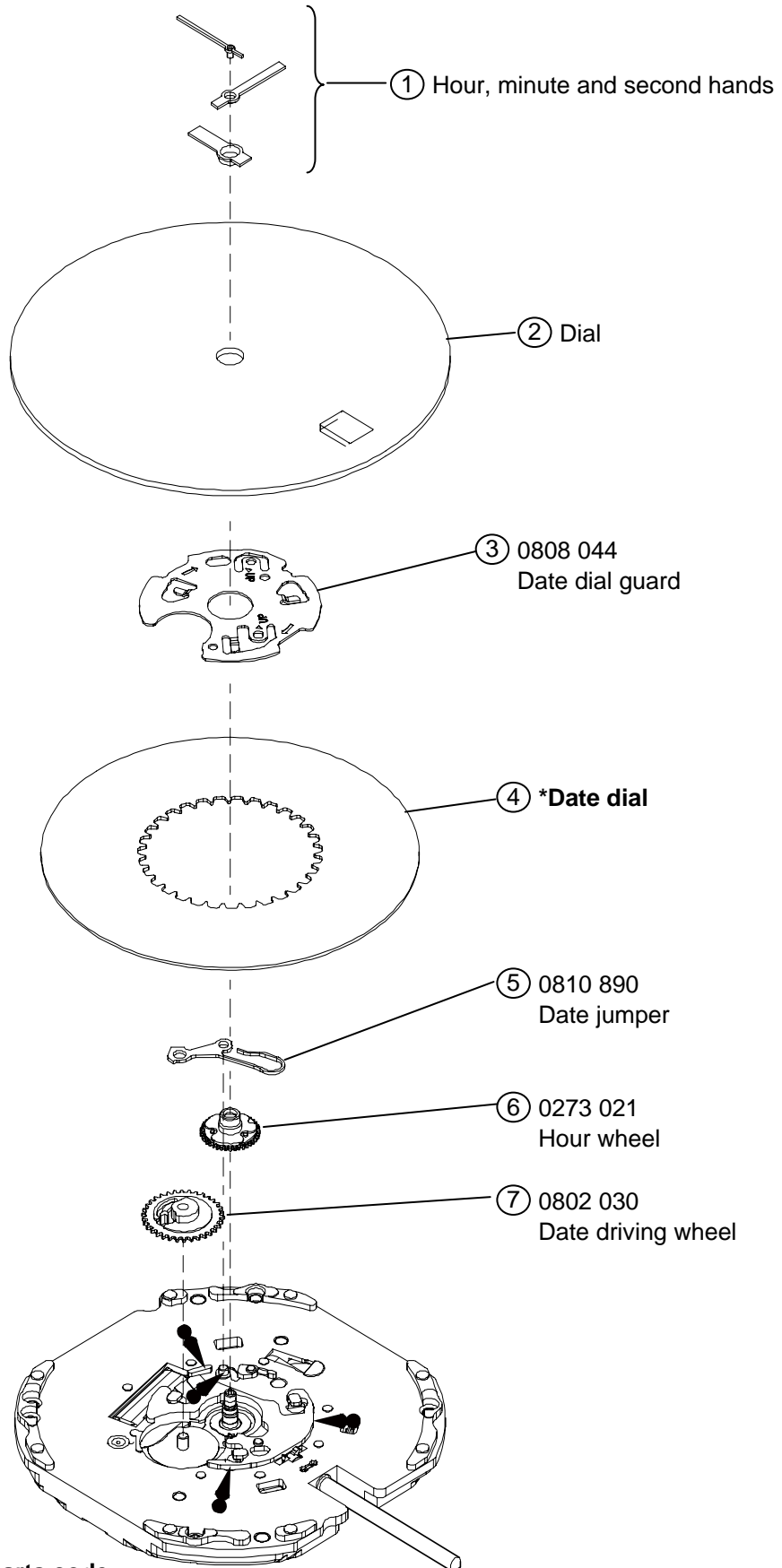
Lubricating : Types of oil

- Moebius A
- Moebius F

Oil quantity

∞ NORMAL QUANTITY

<<VJ42A/B>>



*Refer to the 6pages for the each parts code

Disassembling procedures Figs. (1) → (12)

Reassembling procedures Figs. (12) → (1)

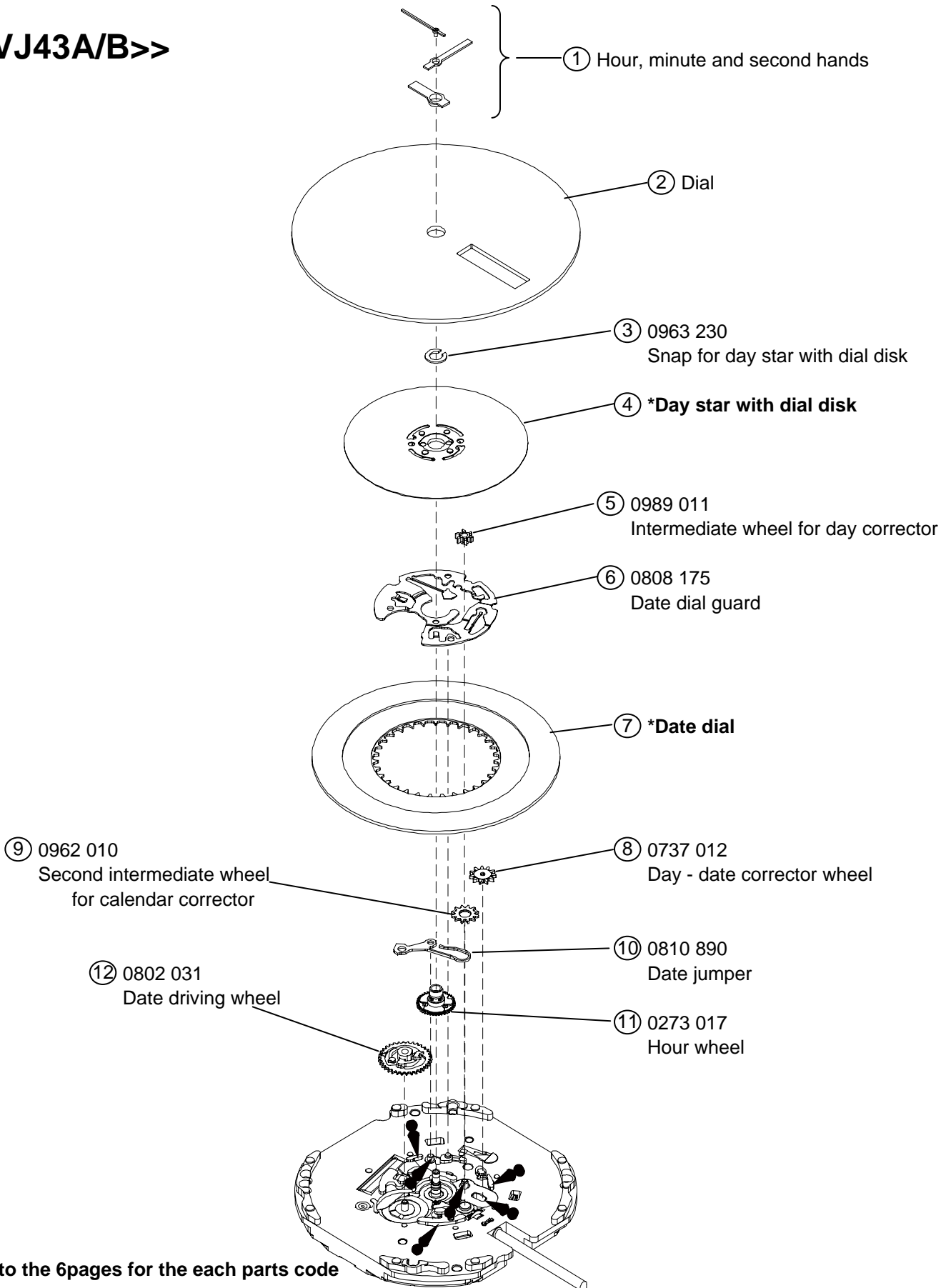
Lubricating : Types of oil

- Moebius A
- Moebius F

Oil quantity

○ NORMAL QUANTITY

<<VJ43A/B>>



*Refer to the 6pages for the each parts code

Disassembling procedures Figs. ① → ⑫

Reassembling procedures Figs. ⑫ → ①

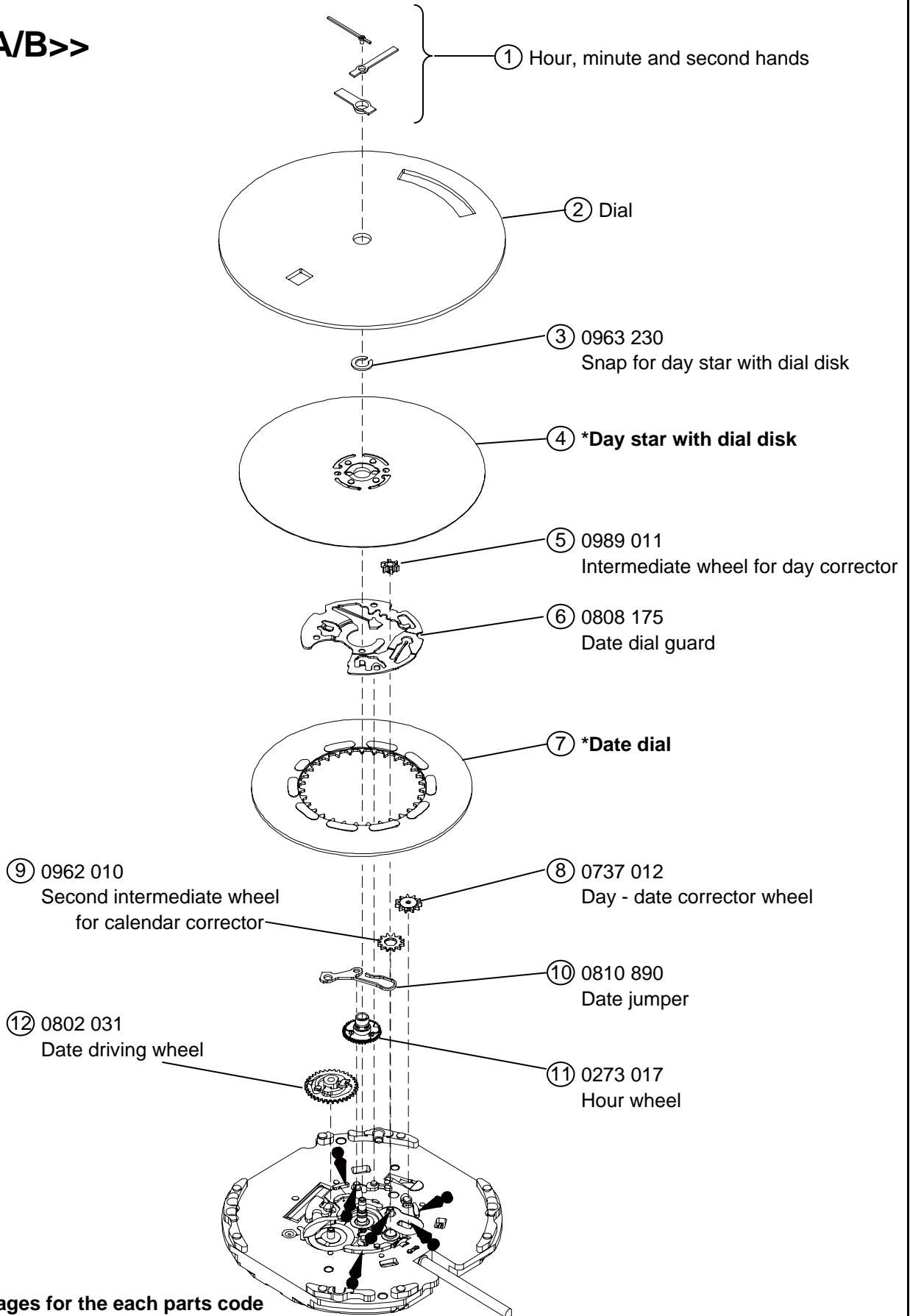
Lubricating : Types of oil

- Moebius A
- Moebius F

Oil quantity

○ ◯ ◯ NORMAL QUANTITY

<<VJ45A/B>>



*Refer to the 6pages for the each parts code

Disassembling procedures Figs. (1) → (21)

Reassembling procedures Figs. (21) → (1)

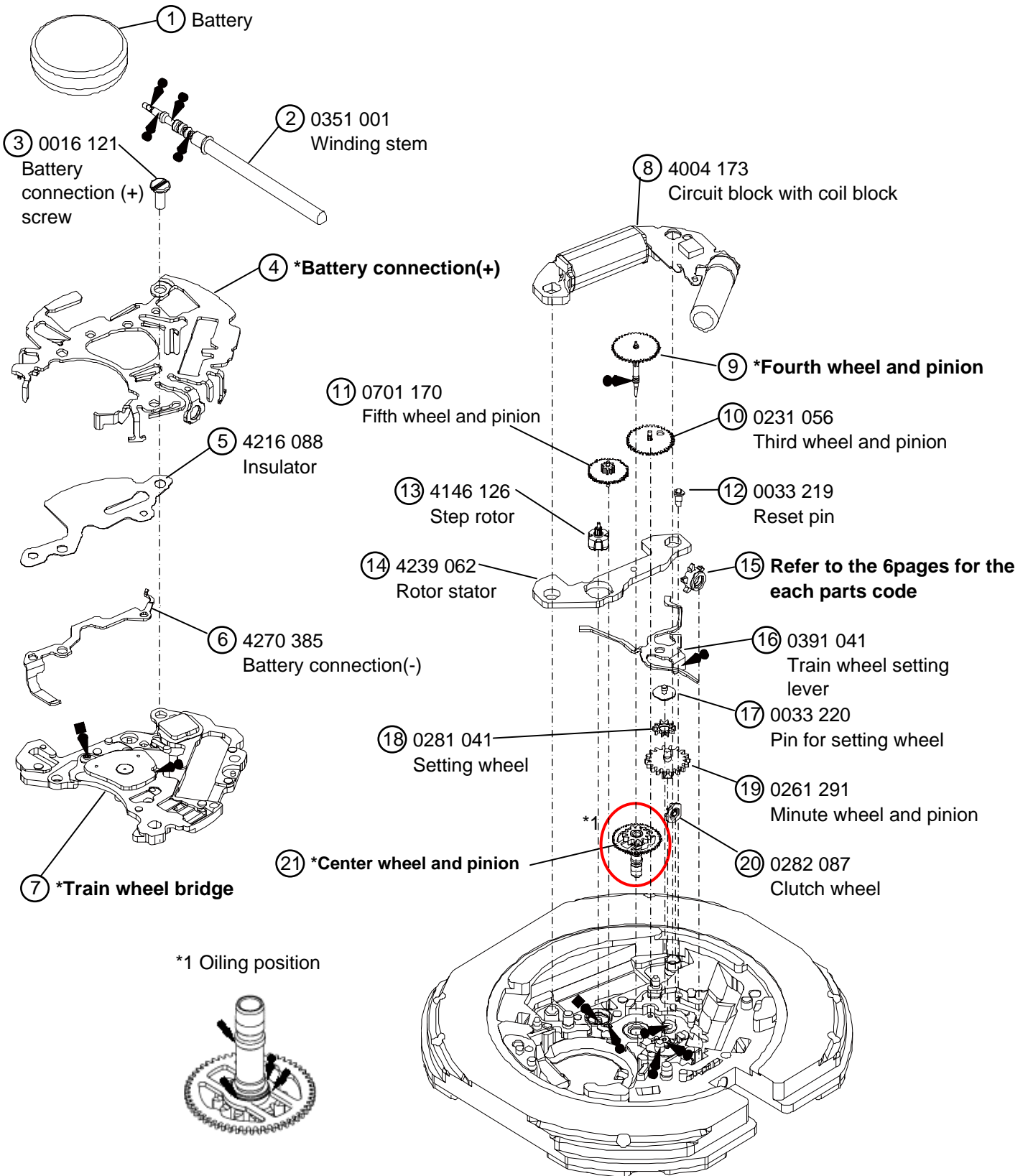
Lubricating : Types of oil

- Moebius A
- Moebius F

Oil quantity

◊ NORMAL QUANTITY

***Refer to the 6pages for the each parts code**



Remarks :

O Date dial

VJ42

Part code	Position of crown	Position of day frame	Color of figure	Color of background	Language
0878182	3H	3H	Black	White	NORMAL
0878238	3H	3H	Black	White	WIDE
0878254	3H	3H	Black	White	TRAPEZOID

VJ43

Part code	Position of crown	Position of day frame	Color of figure	Color of background	Language
0878262	3H	3H	Black	White	

VJ45

Part code	Position of crown	Position of day frame	Color of figure	Color of background	Remarks
0878296	3H	6H	Black	White	

O Day star with dial disk

VJ43

Part code	Position of crown	Position of day frame	Color of figure	Color of background	Language	Remarks
0150300	3H	3H	Mon~Sat: Black Sun: Red	White	English/ Spanish	

VJ45

Part code	Position of crown	Position of day frame	Color of figure	Color of background	Language	Remarks
0150310	3H	12H	Black	White	English Monolingual	

O Different parts for each CAL.

Parts name	VJ42A/B	VJ43A/B	VJ45A/B
⑮ Date corrector wheel	0806 142	—	—
⑮ First intermediate wheel for calendar corrector	—	0962 009	0962 009
⑳ Center wheel and pinion	0221 065	0221 066	0221 066

O The part which is not common in Cal.VJ4*A and Cal.VJ4*B

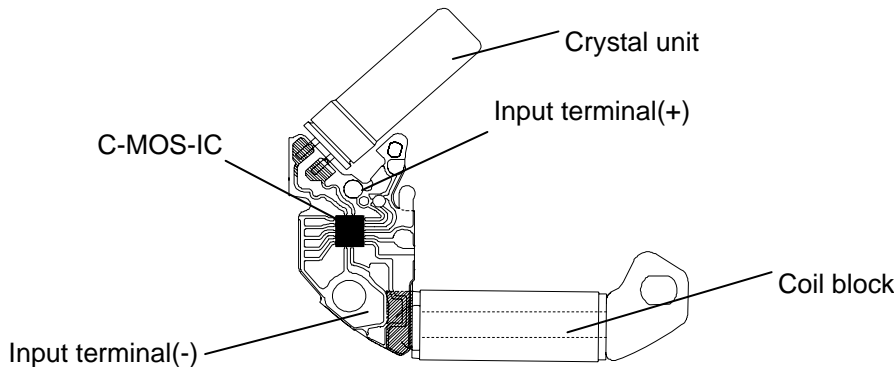
Parts name	VJ42A	VJ43A	VJ45A	VJ42B	VJ43B	VJ45B
④ Battery connection(+)	4271 379	4271 380	4271 381	4268 056	4268 058	4268 059
⑦ Train wheel bridge	0125 262	0125 262	0125 262	0125 297	0125 297	0125 297
⑨ Fourth wheel and pinion	0241 219	0241 319	0241 319	0144 105	0144 125	0144 125

***All parts code are subject to change without notice.**

•The explanation here is only for the particular point of Cal.VJ4* series

I .STRUCTURE OF THE CIRCUIT BLOCK

Notes: Since the circuit block and coil block are made by one piece, in disassembling and reassembling take care not to cut the coil line.

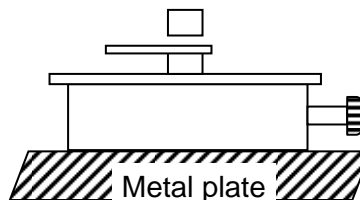


II .REMARKS ON DISASSEMBLING AND REASSEMBLING

①HAND

•How to install hands

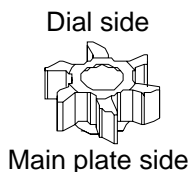
Place the movement directly on a flat metal plate or the like to install the hands.



② Intermediate wheel for day corrector

Set the intermediate wheel for day corrector in the direction as shown in the illustration at right.

*Cal.VJ42 not Intermediate wheel for day corrector.

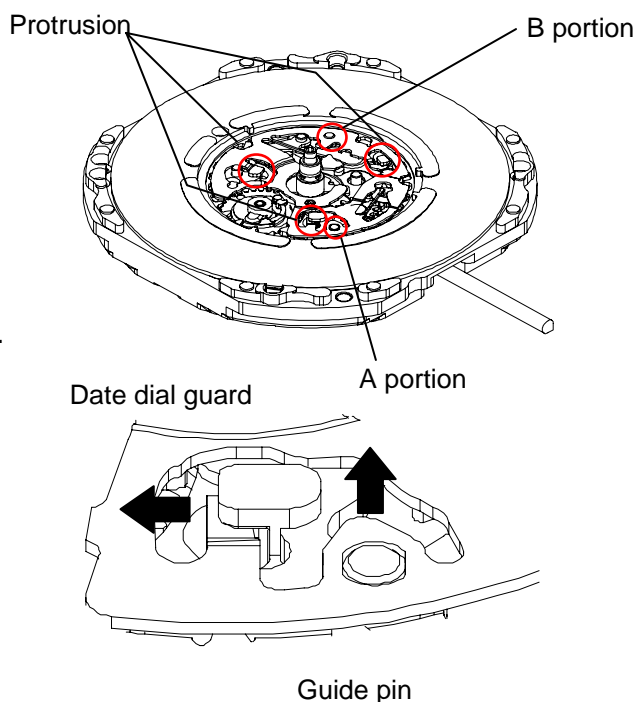


③ Date dial guard

The date dial guard has three protrusions to be caught under the main plate, and it is also fixed by two guide pins.

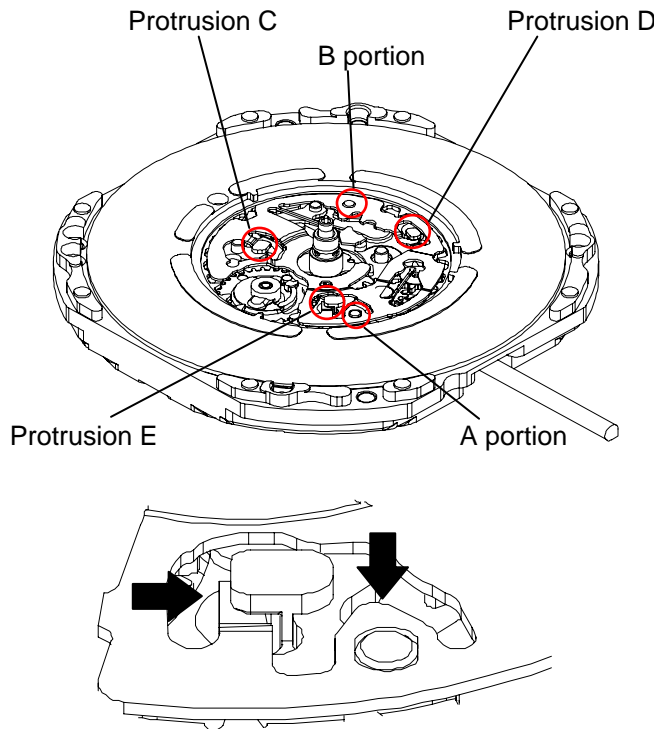
•How to remove

- 1) Lightly lift the A portion of the date dial guard with tweezers to release it from the guide pin, and then move it in the clockwise direction until it gets off the guide pin.
- 2) Release the B portion of the date dial guard in the same way as described above, and then move it in the clockwise direction until it gets off the guide pin.
- 3) Check that all the three protrusions of the date dial guard have come off from the main plate, and then remove the date dial guard.



•How to install

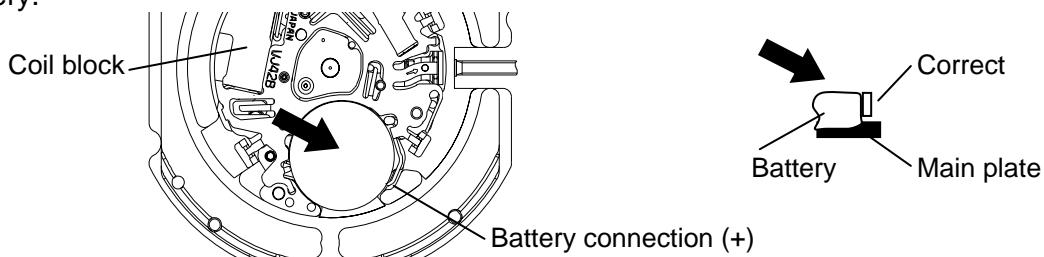
- 1) Put the date dial guard on the main plate so that the A and B portions are over the guide pins, as shown in the illustrations at right.
- 2) Move the protrusion D of the date dial guard in the counterclockwise direction so that it is caught under the main plate.
- 3) Slightly move the protrusions C and E in the counterclockwise direction alternately to set them under the main plate. Then, set the A and B portions of the date dial guard to the guide pins.
- 4) Check that the date dial guard is fixed securely to the main plate.



④ Battery

•How to install battery

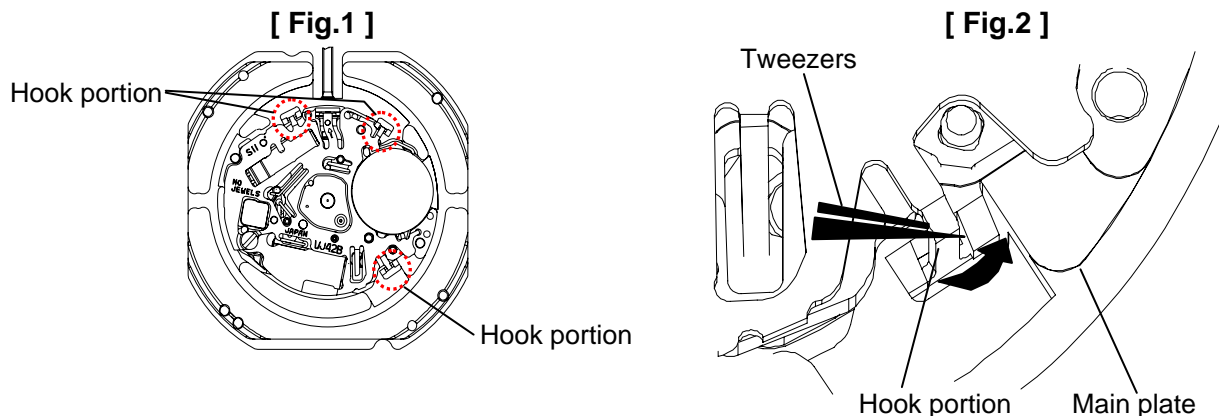
Insert the battery aslant in the direction shown by the arrow. Check the battery connection (+) securely touches the side face of the battery.



⑤ Battery connection (+)

•How to install

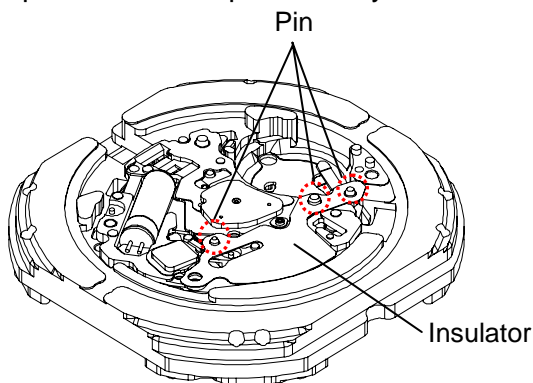
Have the hook portions (3 places) catch the main plate (Fig.1&2). In disassembling and reassembling, take care not to deform the hook portions. After installing the battery connection (+), check that the three hook portions securely catch the main plate.



⑥ Insulator

•Setting position

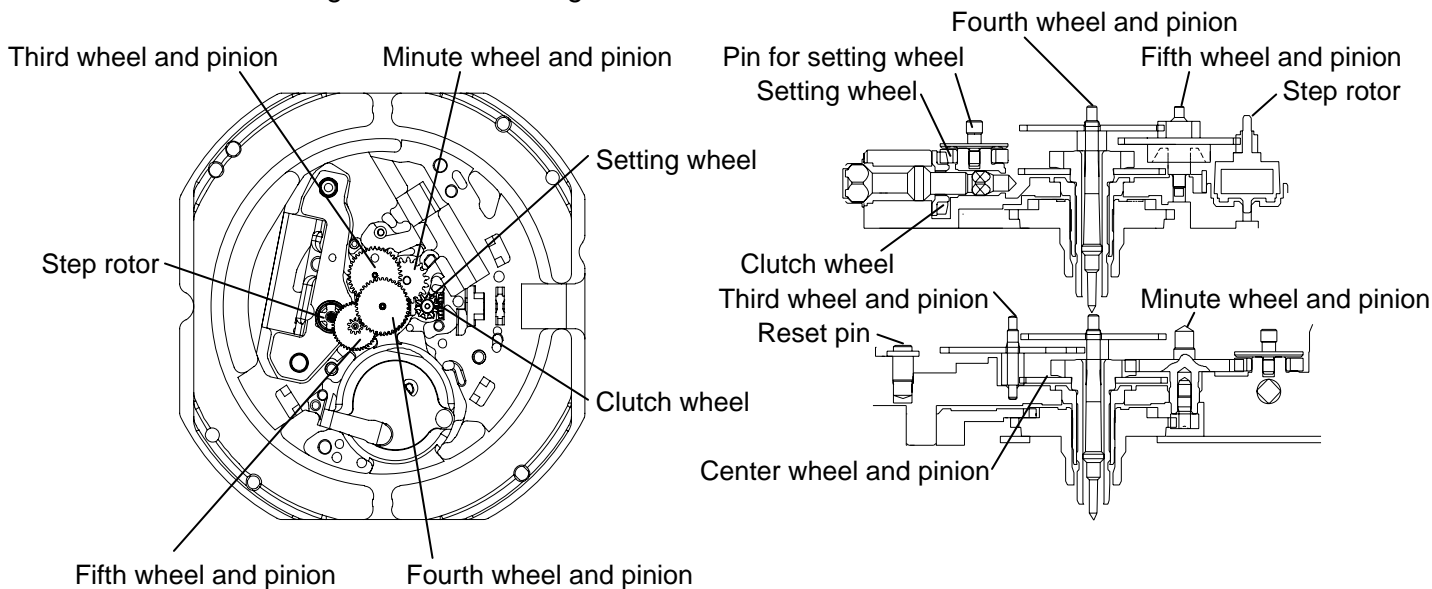
Notes: To insulate between the battery connection (+) and the battery connection (-), Insulator should be put at the three pin securely as bellow.



⑦ Train wheel bridge

•Setting position

Notes: Since the fifth wheel and pinion and step rotor are made of plastics, take care not to damage them in disassembling and reassembling.

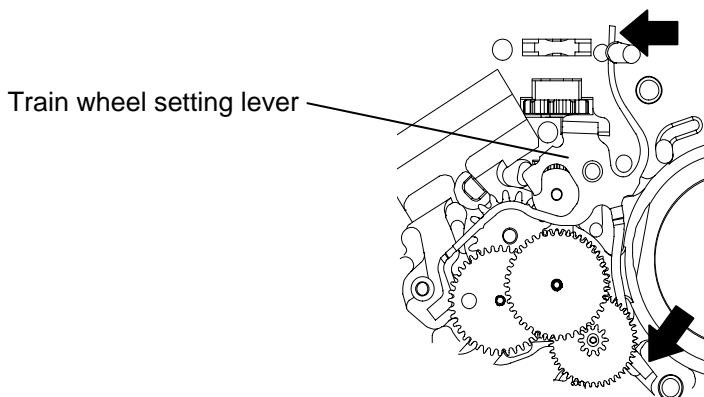


⑧ Train wheel setting lever

•Setting position

Notes:

- Catch the part of spring of the train wheel setting lever to the pin like as bellow.
- Take care not to deform the spring portion of the train wheel setting lever.



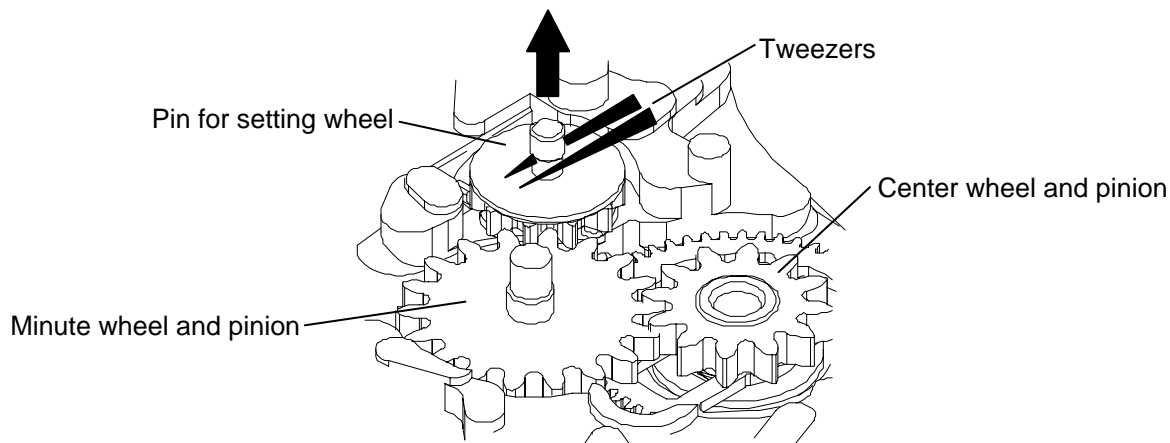
⑨ Pin for setting wheel

Notes:

• In disassembling and reassembling , take care not to damage the portion that is assembled of the pin.

(Since the portion that is assembled of the pin is made of plastics and easily damaged.)

In disassembling ,
pick the pin up main plate to vertical direction with care .



In reassembling ,
push the pin in main plate to vertical direction with care .

